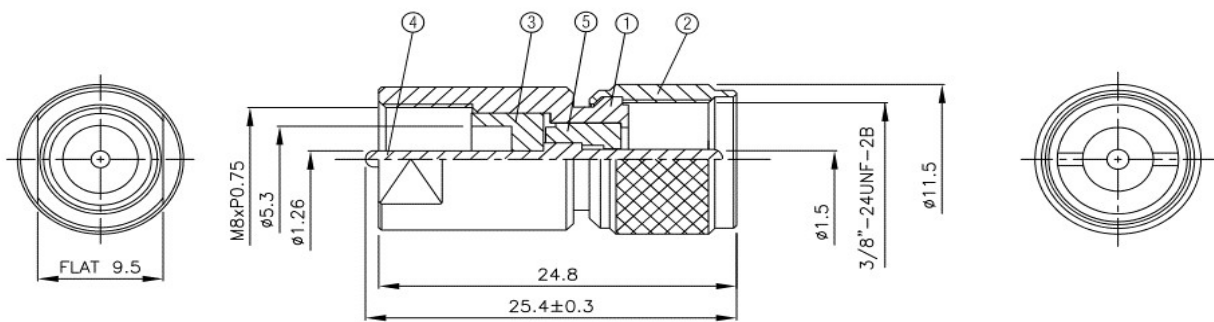
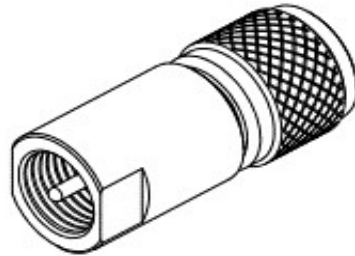


# NI - 102

## FME / Mini UHF Stecker



NO	DESCRIPTION	MATERIAL	Q' TY	FINISH
1	BODY	BRASS	1	NICKEL
2	SHELL	BRASS	1	NICKEL
3	INSULATION	DELRIN	1	DELRIN
4	PIN	BRASS	1	GOLD
5	INSULATION	DELRIN	1	DELRIN